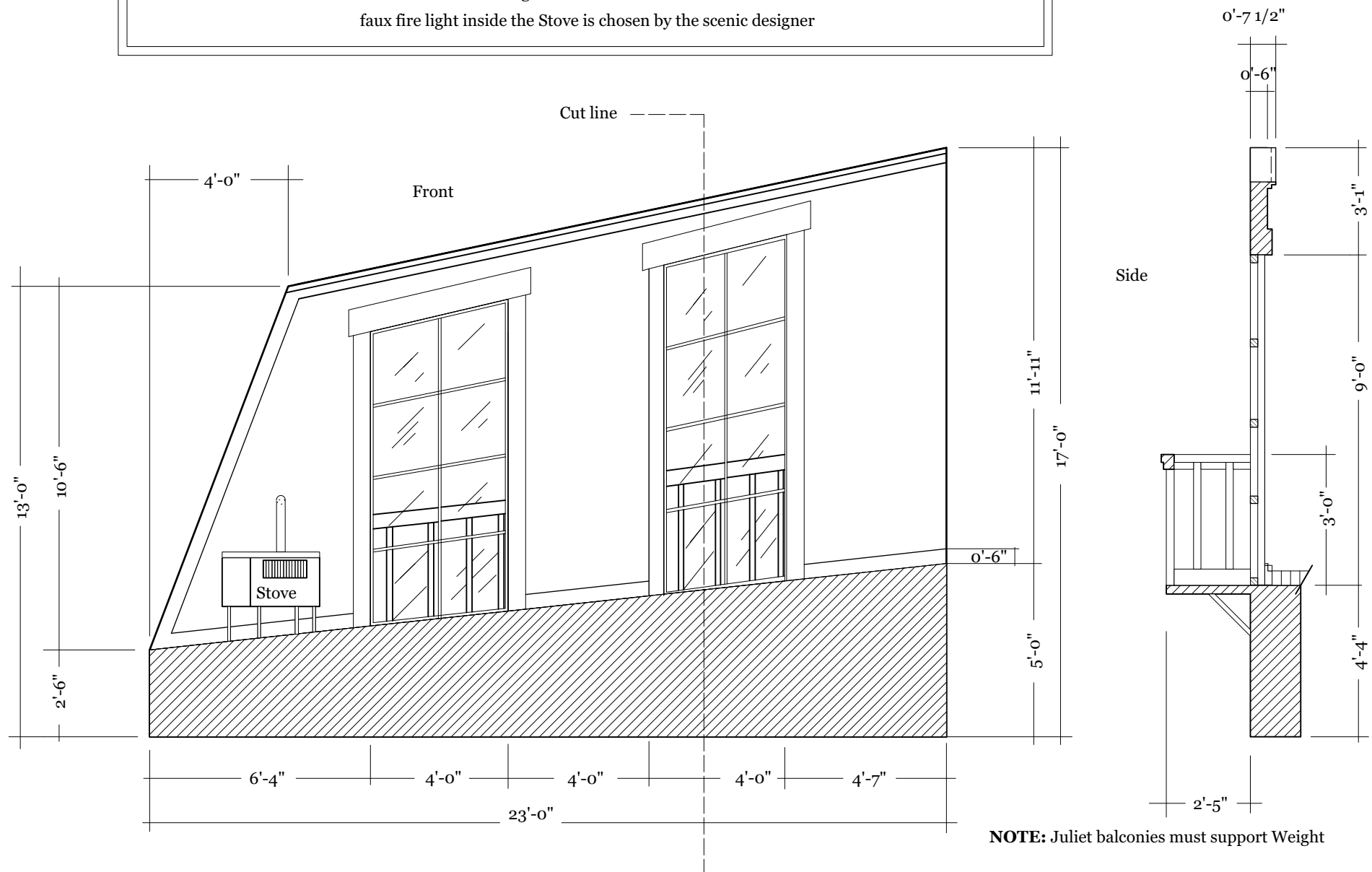
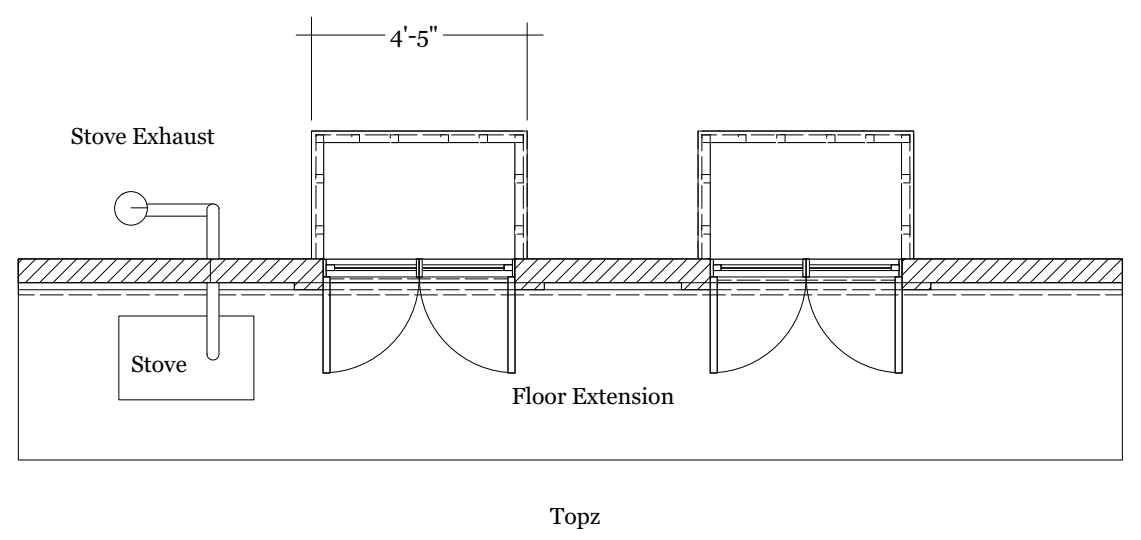


NOTE: Windows are 4'-0" Wide and are each at custom heights including perspective line angle at top.
 The windows are a lightly sanded plexi glass 1/4" with mullions + muntions
 The windows are opened and closed. The platform is utalized.(one at a time use)
 The Stove is set to a fog machine and linkled to the wall with a faux fire light inside the Stove is chosen by the scenic designer



NOTE: Juliet balconies must support Weight



NOTE: Double frame usable windows, Climbed through in Act 4
 Soft goods added to cover SL window

